

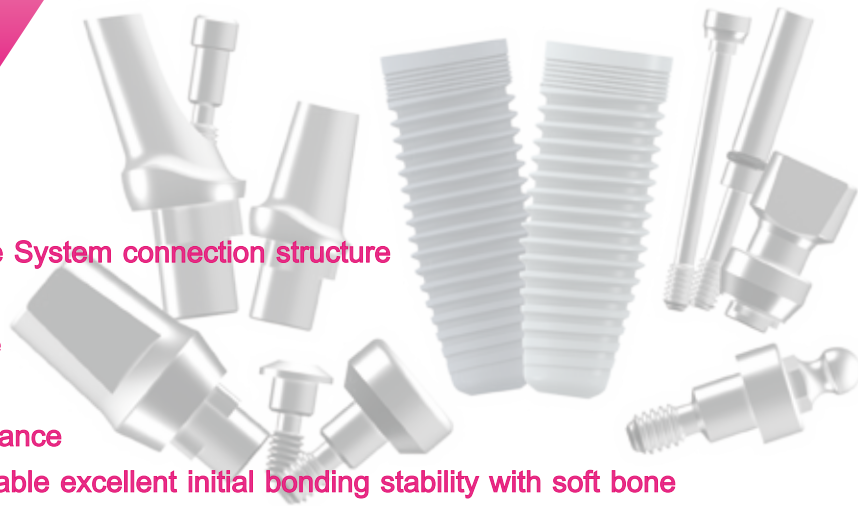
J2R

IMPLANT SYSTEM

Submerged type implant
with an Triangle-Lobe System connection structure

J2R

IMPLANT SYSTEM



- Submerged type implant with an Triangle Lobe System connection structure
- Surface treatment : SLA or HA
- Increased osseointegration in the cortical bone
- Decreased marginal bone loss
- Straight body offers good implantation performance
- Tapered thread and double-tapered shape enable excellent initial bonding stability with soft bone
- Optimized apex design that enables gaining stable initial fixation even at 3 mm below the extract socket
- A variety of diameters and lengths are available for various oral environments
- Taper body offers excellent primary bonding
- Securing a platform switching effect that minimizes bone resorption and enhances soft tissue volume

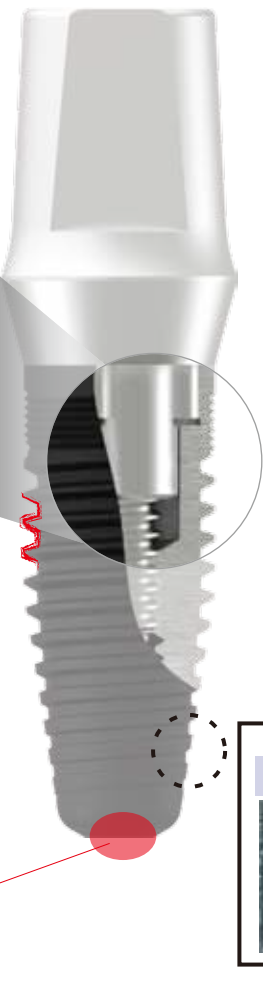
connection close-up



Submerged type implant with an Triangle-Lobe System connection structure



Excellent Initial Fixation Straight Body Shape Triangular Pitch of 0.65 Screws



Body design
-This design for increased initial stability in soft bone

Surface Treatment

SLA



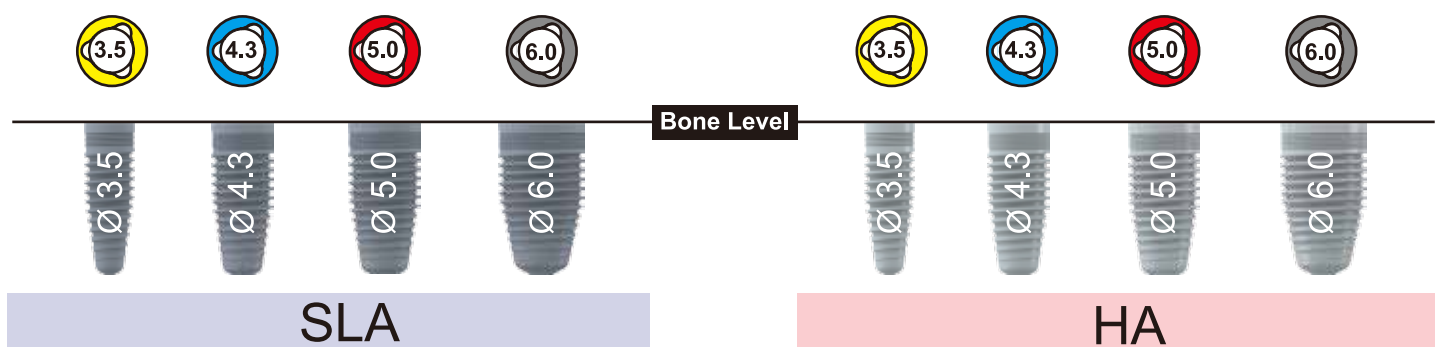
HA



• Flow Chart For J2R System

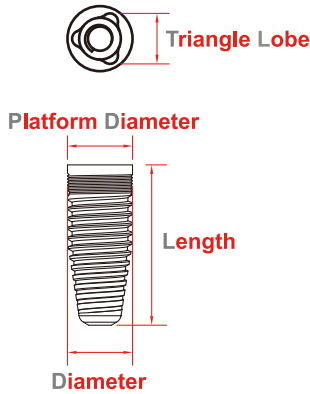
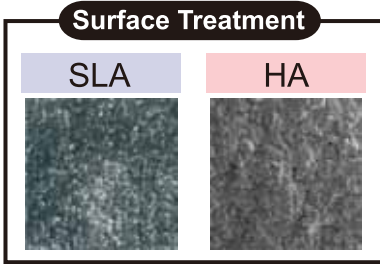


• J2R Fixture Size & Surface treatment



Fixture

- Submerged type implant with an Internal Tri-Lobe connection structure
- Limited insertion torque : 40Ncm



3.5 Narrow Platform

Diameter	Length	REF
Ø3.5	8mm	JRF3508P
		JRF3508H
Ø3.5	10mm	JRF3510P
		JRF3510H
Ø3.5	11.5mm	JRF3511P
		JRF3511H
Ø3.5	13mm	JRF3513P
		JRF3513H
Ø3.5	16mm	JRF3516P
		JRF3516P

4.3 Regular Platform

Diameter	Length	REF
Ø4.3	8mm	JRF4308P
		JRF4308H
Ø4.3	10mm	JRF4310P
		JRF4310H
Ø4.3	11.5mm	JRF4311P
		JRF4311H
Ø4.3	13mm	JRF4313P
		JRF4313H
Ø4.3	16mm	JRF4316P
		JRF4316P

5.0 Wide Platform

Diameter	Length	REF
Ø5.0	8mm	JRF5008P
		JRF5008H
Ø5.0	10mm	JRF5010P
		JRF5010H
Ø5.0	11.5mm	JRF5011P
		JRF5011H
Ø5.0	13mm	JRF5013P
		JRF5013H
Ø5.0	16mm	JRF5016P
		JRF5016P

6.0 Extra Wide Platform

Diameter	Length	REF
Ø6.0	8mm	JRF5008P
		JRF5008H
Ø6.0	10mm	JRF5010P
		JRF5010H
Ø6.0	11.5mm	JRF5011P
		JRF5011H
Ø6.0	13mm	JRF5013P
		JRF5013H
Ø6.0	16mm	JRF5016P
		JRF5016P

Cover Screw

- Packing unit : Cover Screw
- Use 1 2 Hex Drivers
- Tightening torque : 5-8 Ncm



3.5 Narrow Platform

REF	H35000
-----	--------

4.3 Regular Platform

REF	H43000
-----	--------

5.0 Wide Platform

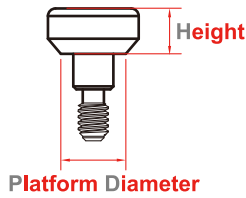
REF	H50000
-----	--------

6.0 Extra Wide Platform

REF	H60000
-----	--------

Healing Abutment

- Packing unit : Healing abutment
- Use a 1.2 Hex Driver
- Tightening torque : 5–8 Ncm



Laser Marking for Healing Abutment Information

(3.5) Narrow Platform

Diameter	Height	REF
	3mm	H35343
Ø3.5	5mm	H35345
	7mm	H35357
Ø5.0	3mm	H35503
	5mm	H35505

(4.3) Regular Platform

Diameter	Height	REF
	3mm	H43453
Ø4.3	5mm	H43455
	7mm	H43457
Ø5.3	3mm	H43503
	5mm	H43505

(5.0) Wide Platform

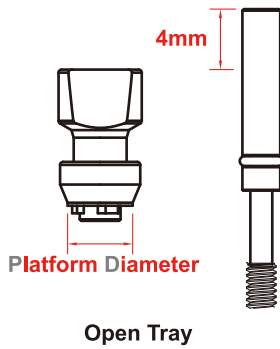
Diameter	Height	REF
Ø6.0	3mm	H50603
	5mm	H50605

(6.0) Extra Wide Platform

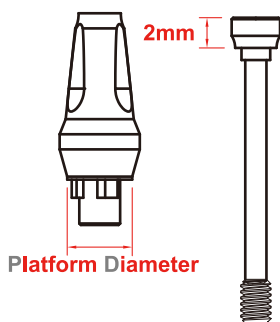
Diameter	Height	REF
Ø6.0	3mm	H60603
	5mm	H60605

Impression Coping

- Packing unit : Impression Coping post + Impression Coping Screw(Open Tray, Closed Tray)
- Triangular arc design improves markability following impression



Open Tray



Close Tray

(3.5) Narrow Platform

Platform	REF
Open	RIC35-O
Close	RIC35-C

(4.3) Regular Platform

Platform	REF
Open	RIC43-O
Close	RIC43-C

(5.0) Wide Platform

Platform	REF
Open	RIC50-O
Close	RIC50-C

(6.0) Extra Wide Platform

Platform	REF
Open	RIC60-O
Close	RIC60-C

Lab Analog

- Packing unit : Lab analog
- Oral fixtures are built on the working model

Platform Diameter



Narrow Platform

REF

RENALO



Wide Platform

REF

REWALO



Regular Platform

REF

RERALO



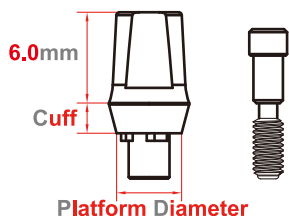
Extra Wide Platform

REF

REW60ALO

Cemented Abutment

- Packing unit : Abutment + Abutment screw
- Use for making general cement-type prosthesis
- Tapered body design facilitating prosthetic fit
- Cross-section design for the prevention of prosthesis rotation
- Use a 1.2 Hex Driver
- Tightening torque : 30Ncm



Narrow Platform

Cuff	REF
0.75mm	C3507
1.5 mm	C3515
Screw	JRNM-SC



Wide Platform

Cuff	REF
0.5mm	C5005
1.5mm	C5015
Screw	JRN-SC



Regular Platform

Cuff	REF
0.5mm	C4305
1.5mm	C4315
Screw	JRN-SC

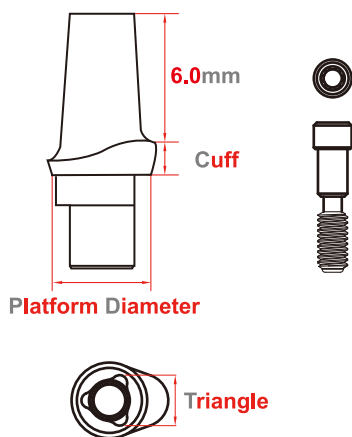


Extra Wide Platform

Cuff	REF
0.5mm	C6005
Screw	JRN-SC

Esthetic Abutment

- Packing unit : Abutment + Abutment screw
- Use for the path adjustment of prosthesis
- Use a 1.2 Hex Driver
- Tightening torque : 30 Ncm



3.5 Narrow Platform

Cuff	REF
3.0mm	C3510E
5.0mm	C3530E
Screw	JRNM-SC

5.0 Wide Platform

Cuff	REF
2.5mm	C5005E
5.0mm	C5030E
Screw	JRN-SC

4.3 Regular Platform

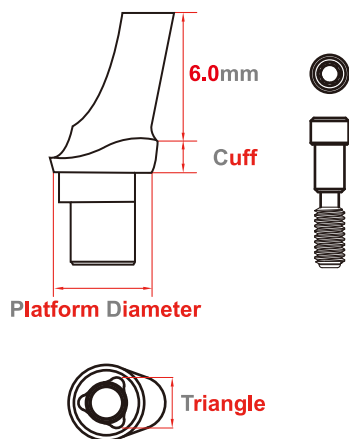
Cuff	REF
3.0mm	C4310E
5.0mm	C4330E
Screw	JRN-SC

6.0 Extra Wide Platform

Cuff	REF
2.5mm	C6005E
Screw	JRN-SC

Esthetic Angled Abutment

- Packing unit : Abutment + Abutment screw
- Use for the path adjustment of prosthesis
- Use a 1.2 Hex Driver
- Tightening torque : 30 Ncm
- Angle : 15°



3.5 Narrow Platform

Cuff	REF
3.0mm	C3510AE
5.0mm	C3530AE
Screw	JRNM-SC

5.0 Wide Platform

Cuff	REF
2.5mm	C5005AE
5.0mm	C5030AE
Screw	JRN-SC

4.3 Regular Platform

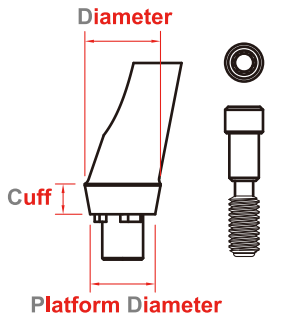
Cuff	REF
3.0mm	C4310AE
5.0mm	C4330AE
Screw	JRN-SC

6.0 Extra Wide Platform

Cuff	REF
2.5mm	C6005AE
Screw	JRN-SC

Angled Abutment

- Packing unit : Abutment + Abutment screw
- Use for the path adjustment of prosthesis
- Use a 1.2 Hex Driver
- Tightening torque : 30 Ncm



3.5 Narrow Platform

Diameter	Cuff	REF
Ø4.0	1.5mm	C354015A
	2.5mm	C354025A
	3.5mm	C354035A
	4.5mm	C354045A
Ø5.0	1.5mm	C355015A
	2.5mm	C355025A
	3.5mm	C355035A
	4.5mm	C355045A
Screw		RASC18

4.3 Regular Platform

Diameter	Cuff	REF
Ø5.0	1.5mm	C435015A
	2.5mm	C435025A
	3.5mm	C435035A
	4.5mm	C435045A
Ø6.0	1.5mm	C436015A
	2.5mm	C436025A
	3.5mm	C436035A
	4.5mm	C436045A
Screw		RASC20

5.0 Wide Platform

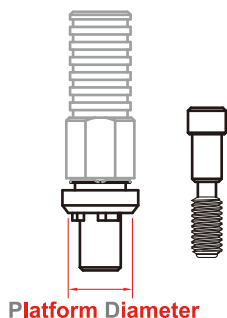
Diameter	Cuff	REF
Ø6.0	1.5mm	C506015A
	2.5mm	C506025A
	3.5mm	C506035A
	4.5mm	C506045A
Ø7.0	1.5mm	C507015A
	2.5mm	C507025A
	3.5mm	C507035A
	4.5mm	C507045A
Screw		RASC20

6.0 Extra Wide Platform

Diameter	Cuff	REF
Ø6.0	1.5mm	C606015A
	2.5mm	C606025A
	3.5mm	C606035A
	4.5mm	C606045A
Ø7.0	1.5mm	C607015A
	2.5mm	C607025A
	3.5mm	C607035A
	4.5mm	C607045A
Screw		RASC20

Cast Abutment

- Packing unit : Abutment + Abutment screw
- Use for the path adjustment of prosthesis
- Use a 1.2 Hex Driver
- Tightening torque : 30 Ncm



3.5 Narrow Platform

	REF
Engaging	JRNM-T
Non Engaging	JRNM-N
Screw	JRNM-SC

4.3 Regular Platform

	REF
Engaging	JRNR-T
Non Engaging	JRNR-N
Screw	JRN-SC

5.0 Wide Platform

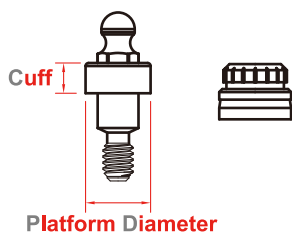
	REF
Engaging	JRNW-T
Non Engaging	JRNW-N
Screw	JRN-SC

6.0 Extra Wide Platform

	REF
Engaging	JRN60-T
Non Engaging	JRN60-N
Screw	JRN-SC

O Ring Abutment

- Packing unit : Abutment + O ring Attachment
- Use for making stud-type overdenture
- Superior stability of retention force
- Maximum path compensation of 20
- Use an O-ring abutment driver
- Tightening torque : 30 Ncm



(3.5) Narrow Platform

Cuff	REF
1mm	O3510C
2mm	O3520C
3mm	O3530C

(4.3) Regular Platform

Cuff	REF
1mm	O4310C
2mm	O4320C
3mm	O4330C

(5.0) Wide Platform

Cuff	REF
1mm	O5010C
2mm	O5020C
3mm	O5030C

(6.0) Extra Wide Platform

Cuff	REF
1mm	O6010C
2mm	O6020C
3mm	O6030C

O-ring Analog Attachment Rubber

REF	REF	REF
ROAN	OATT	OATR